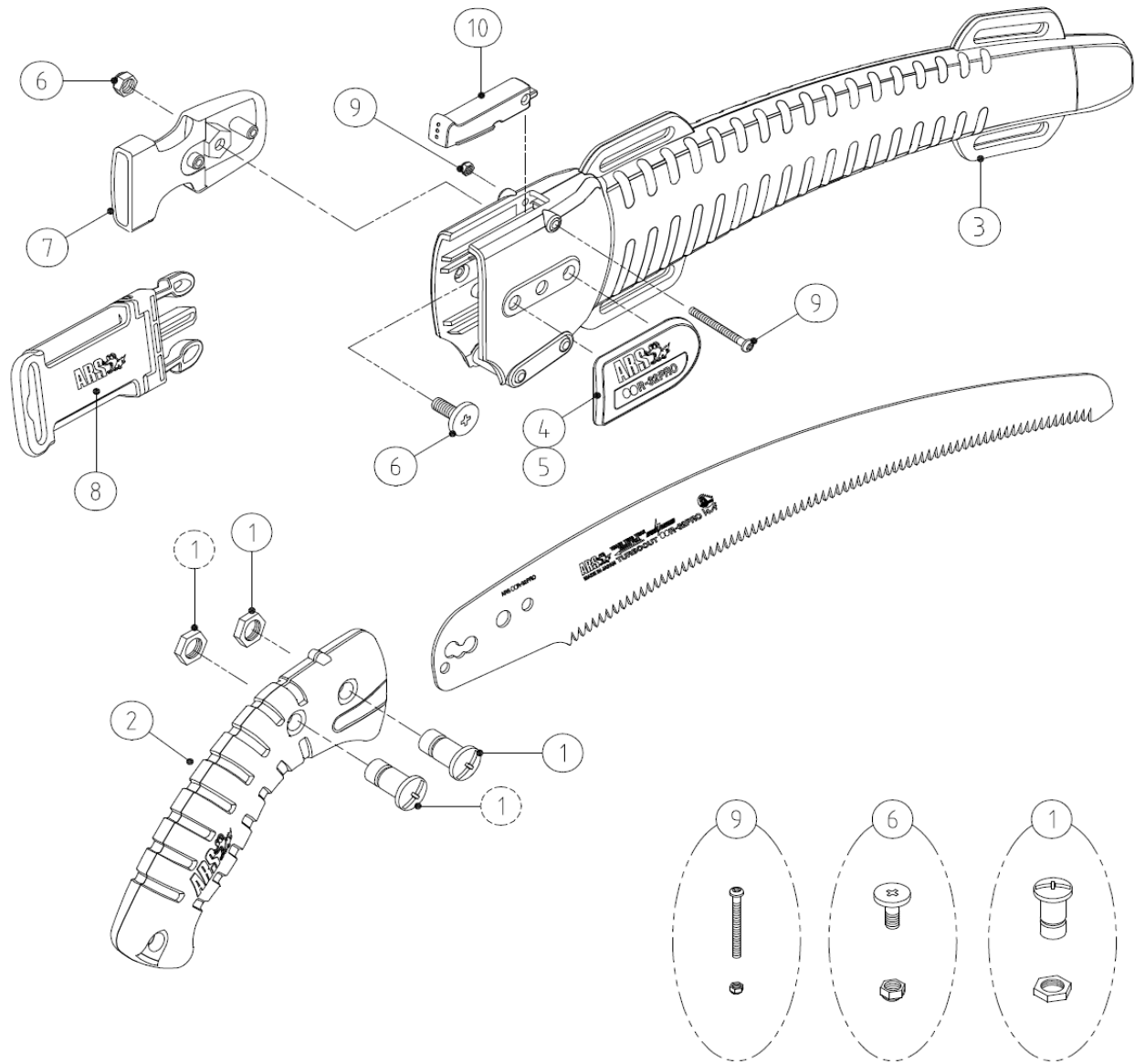


CTR-32PRO / UVR-32PRO



PARTS NO.	SPECIFICATION	PARTS NO.	SPECIFICATION
① SP-359	BOLT & NUT FOR CAM/CT/UV/CTR/UVR-PRO SERIES (1PC EACH)		
② SP-455	GRIP FOR CTR/UVR-32PRO		
③ SP-456	SHEATH FOR CTR/UVR-32PRO (W/O STOPPER, NAME PLATE OR BELT CLIP)		
④ SP-457	NAME PLATE FOR CTR-32PRO		
⑤ SP-458	NAME PLATE FOR UVR-32PRO		
⑥ SP-366	BOLT & NUT FOR THE BELT CLIP OF CAM/CT/UV/CTR/UVR-PRO SERIES		
⑦ SP-367	BELT CLIP FOR CAM/CT/UV/CTR/UVR-PRO SERIES		
⑧ SP-429	BELT FOR CAM/CT/UV/CTR/UVR SERIES		
⑨ SP-373	BOLT & NUT FOR STOPPER OF CT/UV/CTR/UVR-32PRO/-EXP, 37PRO & 42PRO		
⑩ SP-372	STOPPER FOR CT/UV/CTR/UVR-32PRO, 37PRO & 42PRO		